

WID01 - 03ZX0X

Anti-condensation heaters

HEATING POWER

10 - 20 - 30 W



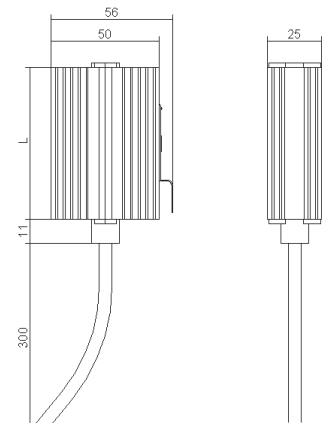
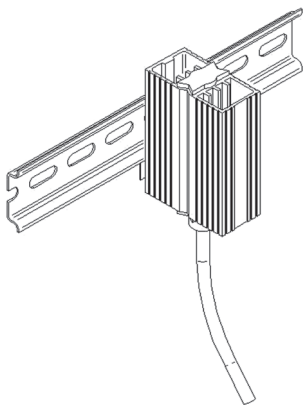
Features	UoM	WID01ZX0X	WID02ZX0X	WID03ZX0X
Heating power*	W	10	20	30
Power supply	V ~ Hz	110-250 V AC/DC	110-250 V AC/DC	110-250 V AC/DC
Dimensions HxWxD	mm	61x50x25	71x50x25	81x50x25
Max current	A	1	2.5	3
Heating element	-	self-regulated PTC	self-regulated PTC	self-regulated PTC
Electrical connection	-	Cable L = 0.3 m	Cable L = 0.3 m	Cable L = 0.3 m
IEC protection class	-	I	I	I
IP rating EN60529	-	IP54	IP54	IP54
Radiator	-	Extruded aluminium profile	Extruded aluminium profile	Extruded aluminium profile
Clip installation for DIN rail	mm	35	35	35
Weight	kg	0.1	0.2	0.2
Conformity	-	CE	CE	CE

* At 20 °C ambient temperature

Accessories

Thermostat 0-60°C, normally closed, 10A	AAWTC10
Thermostat 10-60°C, change-over contact, 10A	AAWTS10
Humidistat, RH 35-95% change-over contact, 5A	AAWHS10

Dimensions



W mm	
WID01ZX0X	50
WID02ZX0X	60
WID03ZX0X	70