

DLK19-22-25

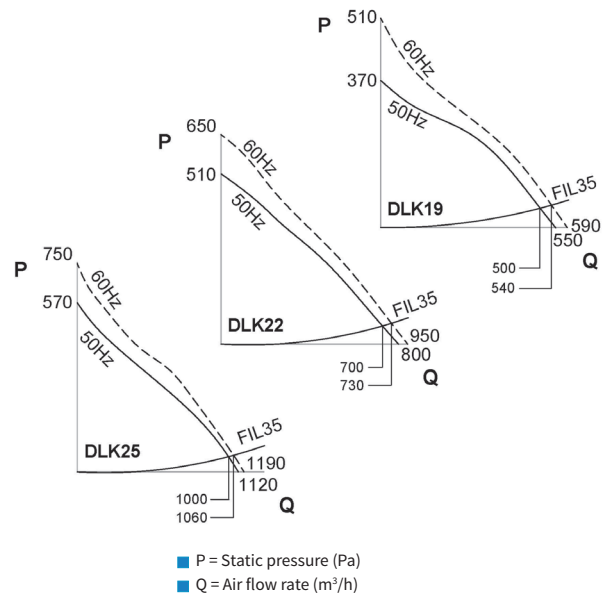
Ventilating towers

AIR FLOW RATE

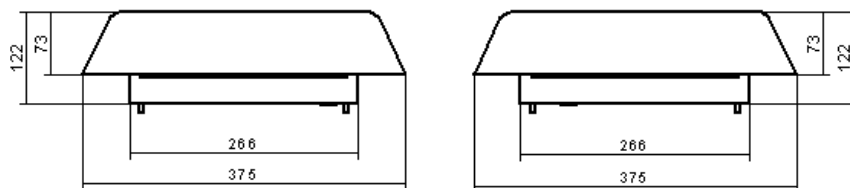
600-625 - 1050-1085 - 1380-1460 m³/h



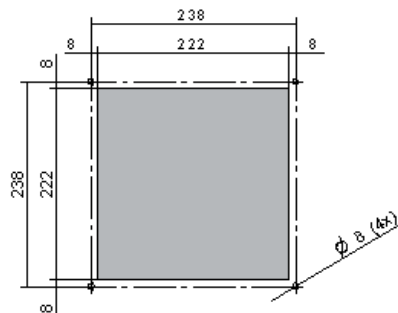
Performance



Dimensions



Drilling templates



N.B.: The drilling templates are only approximate.
For any requirements, contact our technical/sales office.

Features	UoM	DLR19XX0B	DLK19BX0B	DLK19CX0B	DLK22BX0B	DLK22CX0B	DLK25BX0B
Air flow rate	m ³ /h	-	600 - 625	600 - 625	1050 - 1085	1050 - 1085	1380 - 1460
Fan+tower air flow capacity	m ³ /h	-	550 - 590	550 - 590	800 - 950	800 - 950	1120 - 1190
Power supply	V ~ Hz	-	230 1~ 50-60	115 1~ 50-60	230 1~ 50-60	115 1~ 50-60	230 1~ 50-60
Dimensions HxWxD	mm	122x375x375	122x375x375	122x375x375	122x375x375	122x375x375	122x375x375
Power draw	W	-	78 - 106	58 - 77	123 - 168	143 - 200	135 - 200
Max current	A	-	0.32 - 0.4	0.58 - 0.73	0.52 - 0.65	1.13 - 1.42	0.6 - 0.88
Overcurrent protection	-	-	Internal motor	Internal motor	Internal motor	Internal motor	Internal motor
Electrical connection	-	-	Cable	Cable	Cable	Cable	Cable
Operating cycle	-	-	100%	100%	100%	100%	100%
Temperature limits	°C	-20+60	-20+60	-20+60	-20+60	-20+60	-20+60
IP rating EN60529	-	IP44	IP44	IP44	IP44	IP44	IP44
Noise level	dB (A)	-	62 - 64	62 - 64	72 - 71	72 - 71	70 - 72
DLK + FIL35XN0B air flow capacity	m ³ /h	-	500 - 540	500 - 540	700 - 730	700 - 730	1000 - 1060
Air flow direction	-	-	Interior to exterior	Interior to exterior	Interior to exterior	Interior to exterior	Interior to exterior
Motor support	-	-	Bearings	Bearings	Bearings	Bearings	Bearings
Weight	kg	4	6	6	7	7	7
Colour	-	RAL 7035 embossed effect					
Conformity	-	CE	CE	CE	CE	CE	CE

Accessories	
Grille with filter 325x325 mm	FIL35XN0B
Pack of 10 fabric filters for FAN35	AAFFN35
0-60°C thermostat, normally open 10A	AAFTO12
5-60°C thermostat, change-over contact 10A	AAWTS10
Filter kit for IP54 ingress protection	C15000376